

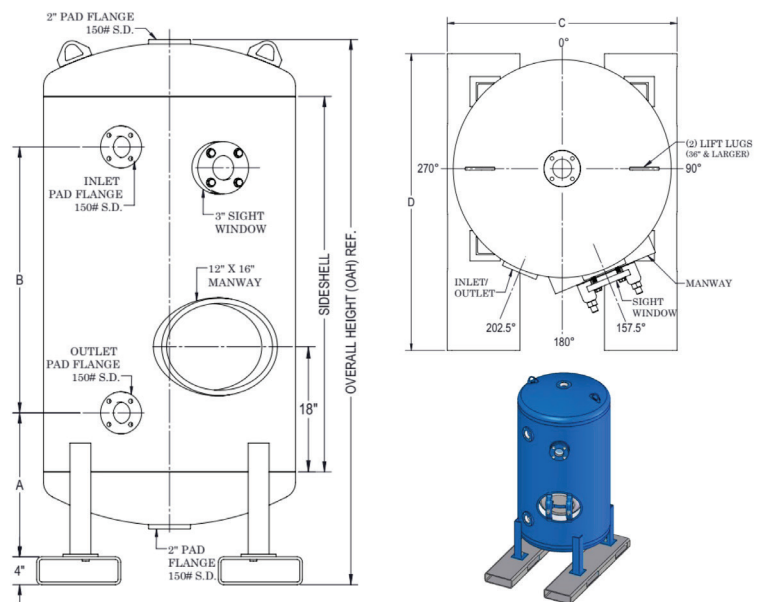


KEY FEATURES

- Carbon Steel Pressure Vessel
- Non-Code, 100 psig Design Pressure
- Vinyl Ester (Plasite 4110, 35-45 mil, 24" diameter only) or polyethylene (30" to 48" diameter only) interior lining
- Safety Blue Exterior Finish Paint
- 3" Round Sight Glass
- Skid Baseplate with Forklift Slots (Galvanized or painted bases available)
- 12" x 16" Manway Assembly (Sideshell)
- Service Inlet/Outlet Pad Flange Connectors (Sideshell)
- 2" Fill Pad Flange Connection (Upper Head)
- 2" Drain Pad Flange Connection (Bottom Head)
- Pre-Piped PVC Hub-Radial Internal Distributor Piping
- Upper Head Lift Lugs (36" Diameter and Larger)

The Culligan® Jumbo Portable Exchange Tanks

The Culligan® Jumbo PEDI systems are ideal for high flow rates, high volume usage, and maintenance free high purity water applications. They provide convenient, economic, quick on-site connection and maintenance free operation. These industrial design portable units regenerate off-site and there is no use of chemicals or wastewater on site. Units can be configured in series or parallel configurations combined with different media choices to provide completely integrated water treatment systems to meet any water quality and quantity requirements.



Dia. (in.)	Shell (in.)	Interior Lining	Inlet/Outlet	A (in.)	B (in.)	C (in.)	D (in.)	OAH (in.)	Max Resin Qty (ft ³)	Empty Shipping Weight (lbs)
24	60	Vinyl Ester	2" PAD	14	46.5	28	37	76.125	15	575
30	57	Polyethylene	2" PAD	18	41.25	31	43	77.813	22	705
36	54	Polyethylene	2" PAD	20	38.25	38	49	78.438	30	955
42	52	Polyethylene	3" PAD	21	36.25	43	55	78.625	40	1100
48	48	Polyethylene	3" PAD	23	32.25	49	61	78.375	50	1315

