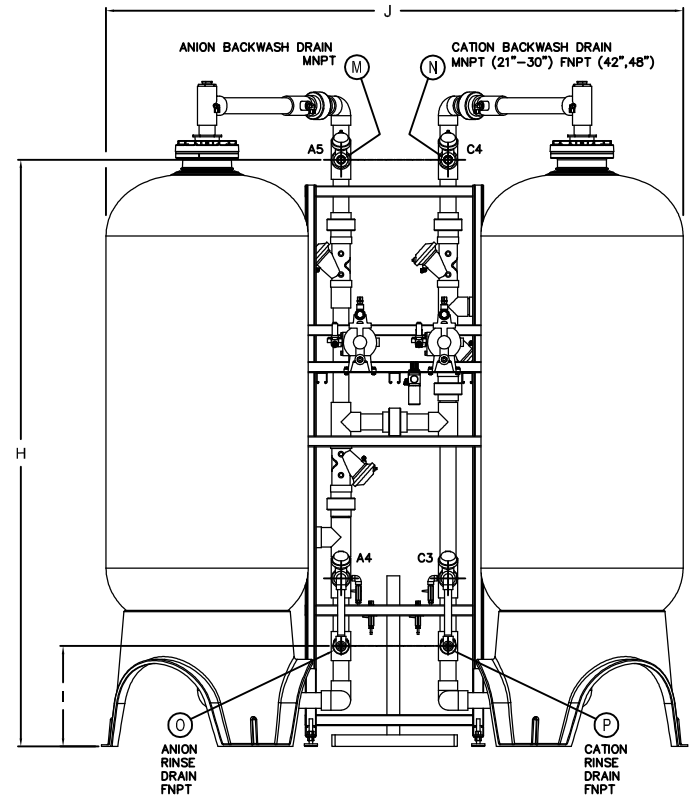
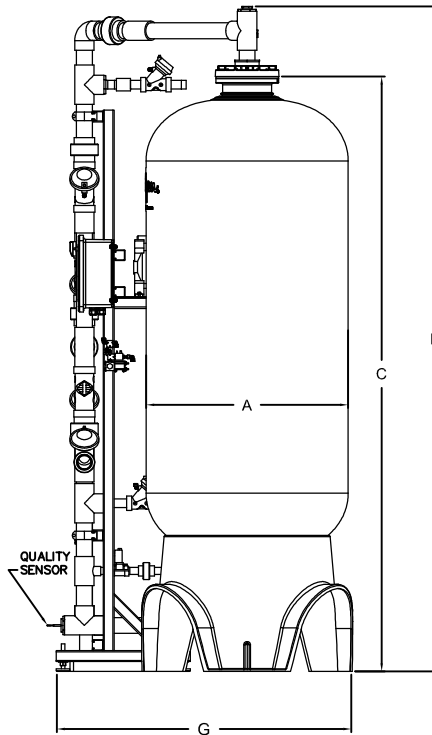
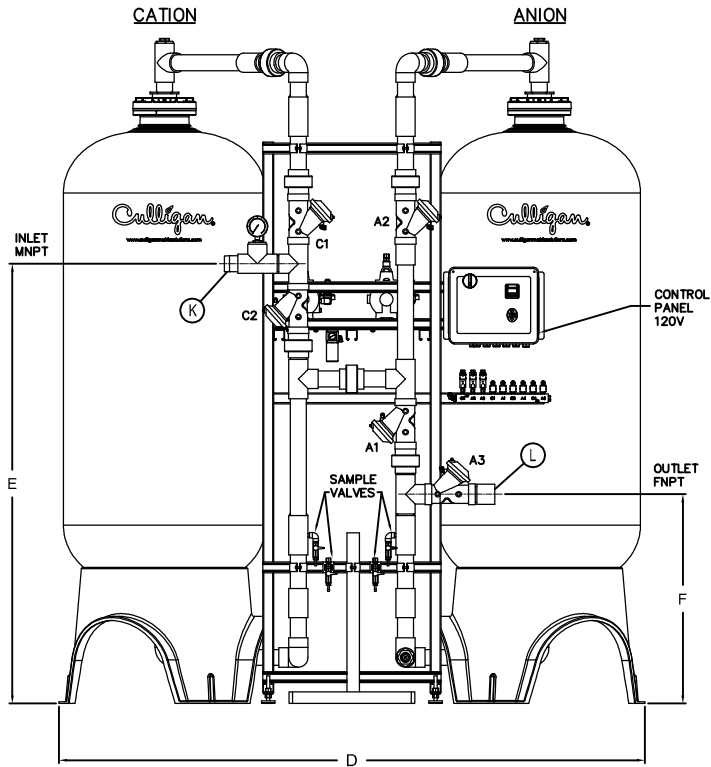


NOTES:

- (1) ALLOW A 30" SPACE ALONG THE SIDE OF EACH UNIT FOR ACID AND CAUSTIC CHEMICAL CONTAINERS.
- (2) ALL DIMENSIONS SHOWN IN INCHES ARE ROUNDED OFF TO THE NEAREST SIGNIFICANT FIGURE.
- (3) ALLOW 24" ABOVE UNIT FOR RESIN FILLING.
- (4) THIS SYSTEM USES FRP TANKS WHICH MUST NOT BE SUBJECTED TO VACUUM. OPTIONAL VACUUM BREAKERS ARE AVAILABLE AND SHOULD BE INSTALLED ON TANK OUTLETS.
- (5) ALL DIMENSIONS ARE ± 1 INCH (25mm) AND SUBJECT TO CHANGE WITHOUT NOTICE.

\* DO NOT MAKE A DIRECT CONNECTION TO THE DRAIN. PROVIDE AN AIR GAP OF AT LEAST FOUR TIMES THE DIAMETER OF THE DRAIN PIPE TO CONFORM TO SANITATION CODES AND TO PERMIT THE OBSERVATION OF THE DRAIN FLOW. DO NOT INSTALL A VALVE IN DRAIN LINE OR USE PIPE SMALLER THAN LISTED IN TABLE.

MODEL NO.	DIMENSIONS (INCHES)																BACKWASH DRAIN FLOW		RINSE DRAIN FLOW		OPERATING WEIGHT
	A	B	C	D	E	F	G	H	I	J	K	L	M	N	O	P	CATION	ANION	CATION	ANION	
QS/QW-21	21	92	82	62	64	26	35	80	15	62	1.5	1.5	.75	.75	.5	.5	10 GPM	5 GPM	2 GPM	.7 GPM	1950 lb
QS/QW-24	24	99	88	67	61	27	38	79	21	66	2	2	1	1	.75	.75	15 GPM	7 GPM	3 GPM	1.3 GPM	2700 lb
QS/QW-30	30	89	99	87	66	31	44	88	25	88	2	2	1	1	.75	.75	20 GPM	10 GPM	4 GPM	2.5 GPM	4150 lb
QS/QW-36	36	85	90	99	66	32	52	87	25	96	2	2	1	1.5	.75	.75	30 GPM	15 GPM	6 GPM	4 GPM	5950 lb
QS/QW-42	42	111	90	109	77	26	61	99	25	106	3	3	1.5	2	1	1	40 GPM	20 GPM	8 GPM	5 GPM	7700 lb
QS/QW-48	48	111	93	115	77	26	64	99	25	112	3	3	1.5	2	1	1	50 GPM	25 GPM	12 GPM	7 GPM	8950 lb



DO NOT SCALE DRAWING  
TOLERANCES: ±1/8" UNLESS OTHERWISE NOTED

Let.	Change	By	App	Date

**Culligan®**  
ENGINEERED SYSTEMS  
ROSEMONT, ILLINOIS

PRINT AND BILL OF MATERIAL ARE NOT TO BE USED WITHOUT THE WRITTEN CONSENT OF CULLIGAN INTERNATIONAL CO.

NAME		PREMIER Q-SERIES AUTOMATIC DEIONIZER TECHNICAL DATA SHEET	
DETAILED BY:	APP. BY:	MKM	01/25/11 1 OF 1
REF. NO.	PART NO.	DI Q-SERIES	